

Network Compatible Relays



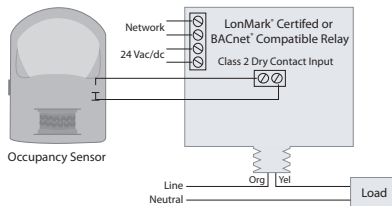
Made in the USA

Meets the "Buy American" provisions of Section 1605 of the American Recovery and Reinvestment Act of 2009 (ARRA).

- LonMark®
- BACnet®
- Ethernet

Use These Devices When a More Expensive Multi-Output Controller is Too Much for the Job

- UL Listed
- BACnet® and LonWorks® protocol
- Analog input
- Digital output
- Digital input
- Thermistor inputs available
- On-board current sensors available
- Panel mount
- Enclosed versions
- NEMA 4X available



A LonMark® certified or a BACnet® compatible relay with a digital input can be used with an occupancy sensor in a room and turn on and off loads based on that status. This saves the cost of buying a LonMark® compatible or BACnet® compatible occupancy sensor by utilizing the digital input on our device.

LonMark® Devices

Quick Reference Chart. For Details, See Spec Page.

Model #	UL	Relay Output	Dry Contact Digital Input	Analog Input	Internal Current Sensor Feedback	Precon® Thermistor Input	Power Input		Contacts	Resistive	Override Switch	Notes
							AC/DC	AC				
RIBTW2401B-LN	•	20A	•				24	120	SPDT	20A		
RIBTW2402B-LN	•	20A	•				24	208-277	SPDT	20A		
RIBTW2401SB-LN	•	20A	•				24	120	SPST	20A	1	
RIBTW2402SB-LN	•	20A	•				24	208-277	SPST	20A	1	
RIBMNX2401SB-LN	•	20A			•		24	120	SPST	20A	1	
RIBTWX2401SB-LN	•	20A			•		24	120	SPST	20A	1	
RIBMNX2402SB-LN	•	20A			•		24	208-277	SPST	20A	1	
RIBTWX2402SB-LN	•	20A			•		24	208-277	SPST	20A	1	
RIBMW245B-LNAI	•	20A	•	•			24		SPST	20A	1	
RIBTW245B-LNAI	•	20A	•	•			24		SPST	20A	1	
RIBMW245B-LNT2	•	20A	•			10kΩ Type 2	24		SPST	20A	1	
RIBTW245B-LNT2	•	20A	•			10kΩ Type 2	24		SPST	20A	1	
RIBMW245B-LNT3	•	20A	•			10kΩ Type 3	24		SPST	20A	1	
RIBTW245B-LNT3	•	20A	•			10kΩ Type 3	24		SPST	20A	1	

BACnet® Devices

Quick Reference Chart. For Details, See Spec Page.

Model #	UL	Relay Output	Dry Contact Digital Input	Analog Input	Accumulator Input	Internal Current Sensor Feedback	Precon® Thermistor Input	Power Input		Contacts	Resistive	Override Switch	Notes
								AC/DC	AC				
RIBTW2401B-BC	•	20A	1					24	120	SPDT	20A	1	
RIBTW2402B-BC	•	20A	1					24	208-277	SPDT	20A	1	
RIBMNX2401B-BC	•	20A	1			•		24	120	SPDT	20A	1	
RIBTWX2401B-BC	•	20A	1			•		24	120	SPDT	20A	1	
RIBMNX2402B-BC	•	20A	1			•		24	208-277	SPDT	20A	1	
RIBTWX2402B-BC	•	20A	1			•		24	208-277	SPDT	20A	1	
RIBMNX24B-BCAI	•	20A	2				10kΩ Type 2 or 3	24		SPDT	20A	1	
RIBTW24B-BCAI	•	20A	2				10kΩ Type 2 or 3	24		SPDT	20A	1	
RIBMWD12-BCDI			12					24					NEW
RIBMWD12-BC			12		2			24					NEW

Ethernet Devices

Quick Reference Chart. For Details, See Spec Page.

Model #	UL	Relay Output	Dry Contact Digital Input	Analog Input	Internal Current Sensor Feedback	Precon® Thermistor Input	Power Input		Contacts	Resistive	Override Switch	Notes
							AC/DC	AC				
RIBTW2401B-ET		20A	•				24	120	SPDT	20A	1	

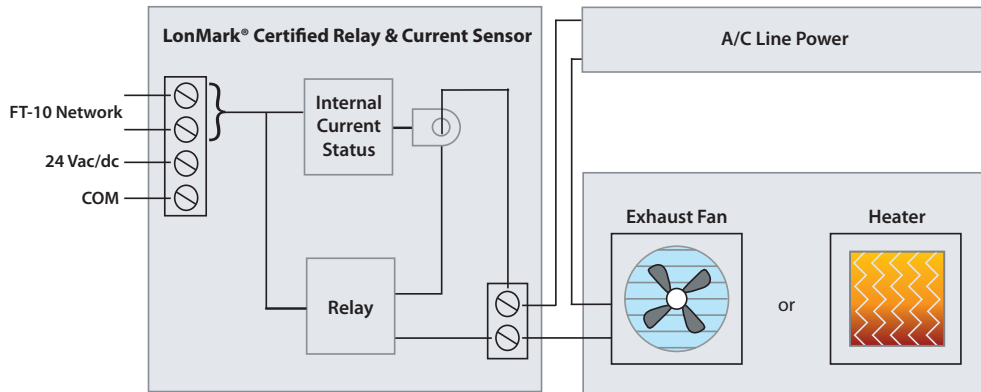
UL = UL Listed : UL916 Energy Management, USA & Canada

1 = Coil Side Relay Override (requires unit to be powered)

Precon® is a registered trademark of Kele and Associates.

Network Compatible Relay/Current Sensor Application

Save time, money, and messy wiring. LonMark® certified relay contains an internal current sensor for load status. Relay control and load status are easily accessible from the FT-10 Network.



Enclosed Model
RIBTWX24015B-LN

Track Model
RIBMNWX24015B-LN

